



Rotary Back Shells



SERIES 85049

Back Shells for
Circular Connectors

Conforming to
M85049 Series

Qualified to
JSS - 50814
JSS - 50825

Interfacing with
26482 Series II
5015 Crimp
83723 Series III
38999 Series I, II, III & IV

APPLICATIONS

- » Military
- » Industrial
- » Power Electronics
- » Automobile

FEATURES

- » Light Weight, Compact Size
- » In 9 shell sizes from 8 to 24
and 9 to 25
- » Supports the Cable
- » Provides Environmental
Protection
- » Provides RFI / EMI Shielding

ROTARY ELECTRONICS (P) LTD.

solutions engineered to excel

www.rotaryconnectors.com

ROTARY BACKSHELLS

The best performance of the circular multipin connectors are achieved by proper termination of wires/cables, the proper anchoring of cable to the connectors, the proper positioning of the wire/cable after termination.

The back shells of 85049 series have been designed to suit various end applications considering the mounting, environmental conditions, external influence and working conditions.

The Back Shells are classified as:

- 1) **Backnut:** To support the wires and grommet.
- 2) **Strain relief clamps:** To support the cable with strain relief clamping.
- 3) **Strain relief clamp environmental type:** To support cable with cable sealing and strain relief clamps.
- 4) **Strain relief clamp with RFI / EMI protection:** To support the cable with shield termination and strain relief clamp.
- 5) **Strain relief clamp with RFI / EMI environment protection:** To support the cable with cable sealing shield termination and strain relief clamping.
- 6) **Quick tie back shell:** To support cable with strain relief tying.
- 7) **Heat shrink boot adaptor:** To terminate cable with heat shrink boot providing environment sealing and partial strain relief.
- 8) **RFI Shield crimp adaptor:** To terminate cable with crimping the shield.
- 9) **Banding adaptor:** To provide the termination of RFI shielding.

The back shells are designed to suit different types of MIL series connectors like MIL26482, MIL5015, MIL82723, MIL38999. These connectors have different interface threads. Accordingly the backs Shells are classified into 3 types:

For MIL-C- 26482 Series II, MIL-C- 5015 Crimp and MIL-C- 83723 Series III Connectors.

Shell Size	Interface Thread
8	0.50 – 20 UNF
10	0.625 – 24 UNEF
12	0.750 – 20 UNEF
14	0.875 – 20 UNEF
16	1.000 – 20 UNEF
18	1.0625 – 18 UNEF
20	1.1875 – 18 UNEF
22	1.3125 – 18 UNEF
24	1.4375 – 18 UNEF

For MIL-DTL-38999 Series I and II Connectors.

Shell Size	Interface Thread
9/8	0.4375 – 28 UNEF
11/10	0.5625 – 24 UNEF
13/12	0.6875 – 20 UNEF
15/14	0.8125 – 20 UNEF
17/16	0.9375 – 20 UNEF
19/18	1.0625 – 18 UNEF
21/20	1.1875 – 18 UNEF
23/22	1.3125 – 18 UNEF
25/24	1.4375 – 18 UNEF

For MIL-DTL-38999 Series III and IV Connectors.

Shell Size	Interface Thread
9	M12 x I
11	M15 x I
13	M18 x I
15	M22 x I
17	M25 x I
19	M28 x I
21	M31 x I
23	M34 x I
25	M37 x I

The back shells are designed and manufactured in different finishes depending upon customer requirement.

- 1) Cadmium / Zinc cobalt plated, passivated to olive draub finish.
- 2) Electroless Nickel plated.
- 3) Black anodized.

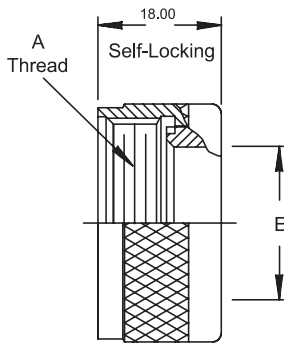
The back shells are designed and manufactured to meet the specification of interfacing connectors.

Rotary reserves the right to make any engineering refinement, alterations or improvements deemed necessary on its products. The dimensions appearing in this catalogue are thus subject to change without notice. When dimensions are critical, detailed drawings should be requested.

BACKSHELLS

Interfacing with MIL- DTL-26482 Series II , MIL-DTL- 5015 Crimp and MIL - DTL - 83723 Series III Connectors

BACKNUT



SS	8	10	12	14	16	18	20	22	24
E min	6.90	9.50	13.00	14.90	18.00	20.00	23.20	26.40	29.30

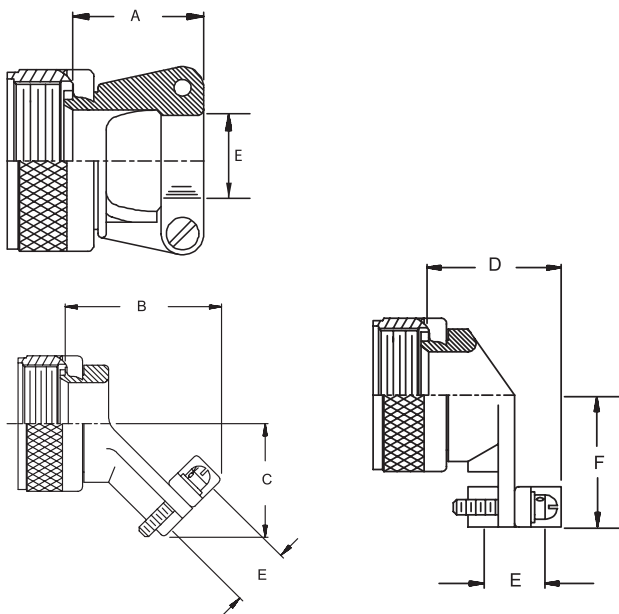
Ordering Information

RE 85049/3IS

Shell Size

Finish
 W - Cadmium Olive Drab
 N - Electroless Nickel
 A - Anodized Black

STRAIN RELIEF CLAMP



SS	8	10	12	14	16	18	20	22	24
A MAX	18.50	21.60	24.90	24.90	27.90	34.30	37.60	40.60	43.90
B MAX	29.5	30.60	32.50	33.50	36.20	39.20	40.30	41.50	42.60
C MAX	19.6	20.40	22.00	23.60	25.20	28.20	29.80	31.40	32.90
D MAX	31.9	34.00	38.90	40.40	44.20	47.10	50.20	53.50	56.60
E min	5.20	7.30	10.60	12.10	15.90	17.90	21.10	24.30	27.50
F +1.6	18.9	20.40	22.00	23.60	25.20	29.70	31.20	32.90	34.50

Ordering Information

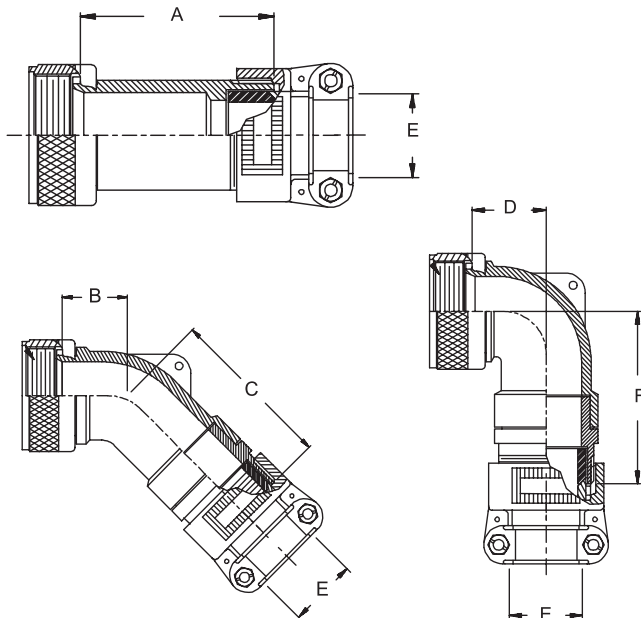
RE 85049/XX

Shell Size

Style
 52S - Straight
 43 - 45° Bend
 51S - 90° Bend

Finish
 W - Cadmium Olive Drab
 N - Electroless Nickel
 A - Anodized Black

ENVIRONMENTAL, STRAIN RELIEF CLAMP



SS	8	10	12	14	16	18	20	22	24
A MAX	54	54	54	54	54	54	79.40	79.40	79.40
B MAX	15.9	17.50	19.10	20.60	23.00	27.80	27.80	30.20	30.20
C MAX	31.6	33.20	35.50	43.60	46.00	50.80	50.80	54.70	54.70
D MAX	16.9	19.30	19.50	22.00	26.70	29.00	29.00	32.80	32.80
E* min	5.20	7.30	10.60	12.10	15.90	19.1	21.1	43.3	27.5
F MAX	32.1	35.10	35.50	43.60	45.90	50.30	50.30	53.00	53.00

* Other cable entry sizes are available on request

Ordering Information

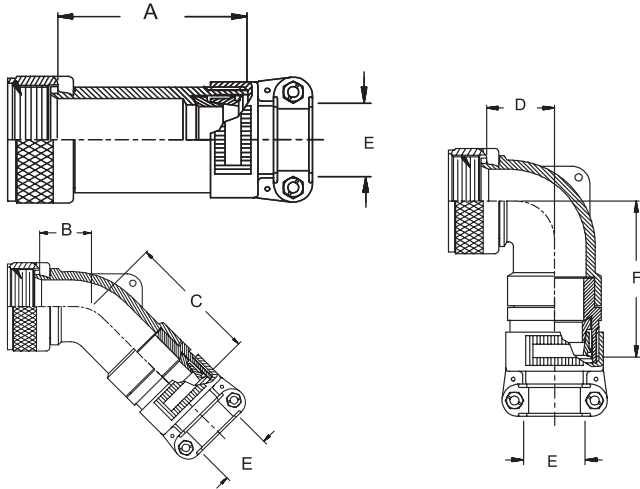
RE 85049/XX

Shell Size

Style
 11 - Straight
 07 - 45° Bend
 09 - 90° Bend

Finish
 W - Cadmium Olive Drab
 N - Electroless Nickel
 A - Anodized Black

EMI/RFI WITH STRAIN RELIEF CLAMP



SS	8	10	12	14	16	18	20	22	24
A MAX	52.4	52.4	52.4	52.4	52.4	52.4	77.80	77.80	77.80
B MAX	15.9	17.40	19.10	20.60	23.00	27.80	27.80	30.20	30.20
C MAX	33.2	34.80	35.50	45.20	47.60	52.40	56.30	56.30	56.30
D MAX	15.3	17.70	17.90	20.40	25.10	27.40	27.40	31.20	31.20
E* min	5.20	7.30	10.60	12.10	15.90	19.9	21.1	43.3	27.5
F MAX	32.1	35.10	35.50	43.60	45.90	50.30	50.30	53.00	53.00

* Other cable entry sizes are available on request

Ordering Information

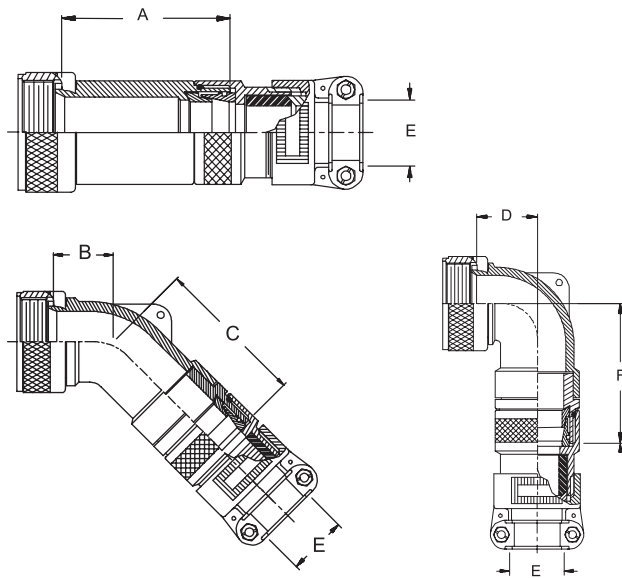
RE 85049/XX - XX - X

Style
25 - Straight
23 - 45° Bend
24 - 90° Bend

Shell Size

Finish
W - Cadmium Olive Drab
N - Electroless Nickel
A - Anodized Black

EMI/RFI, ENVIRONMENTAL, STRAIN RELIEF CLAMP



SS	8	10	12	14	16	18	20	22	24
A MAX	54	54	54	54	54	54	79.40	79.40	79.40
B MAX	15.9	17.40	19.10	20.70	23.00	27.80	27.80	30.20	30.20
C MAX	31.6	33.20	35.50	43.60	46.00	50.80	50.80	54.7	54.7
D MAX	16.9	19.30	19.50	22.00	26.70	29.00	29.00	32.80	32.80
E* min	5.20	7.30	10.60	12.10	15.90	19.9	21.1	43.3	27.5
F MAX	32.1	35.10	35.50	43.60	45.90	50.30	50.30	53.0	53.0

* Other cable entry sizes are available on request

Ordering Information

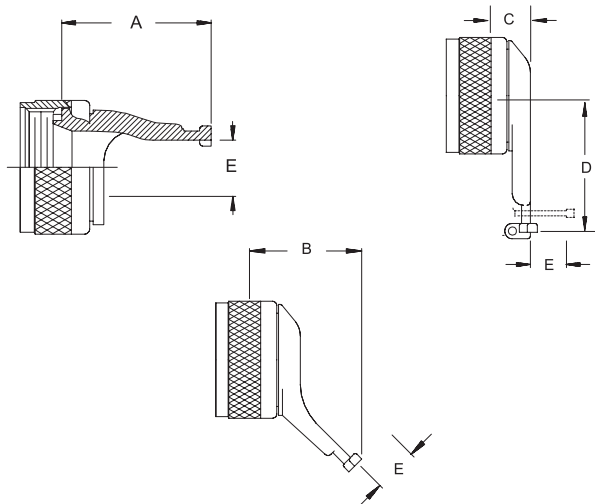
RE 85049/XX - XX - X

Style
10 - Straight
06 - 45° Bend
08 - 90° Bend

Shell Size

Finish
W - Cadmium Olive Drab
N - Electroless Nickel
A - Anodized Black

QWIK TY, STRAIN RELIEF



SS	8	10	12	14	16	18	20	22	24
A MAX	22.9	22.9	22.9	24.70	24.70	24.70	32.00	35.00	38.30
B MAX	30.00	30.00	30.00	30.00	30.00	30.00	36.30	36.30	36.30
C MAX	18.50	18.50	18.50	18.50	18.50	18.50	19.10	19.10	19.10
D MAX	31.00	32.80	41.10	42.20	43.70	43.70	45.50	47.00	48.50
E MAX	6.60	9.30	12.70	14.60	17.80	19.80	23.00	26.10	29.10

Ordering Information

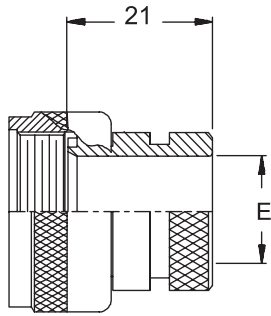
RE 85049/XX - XX - X

Style
53 - Straight
54 - 45° Bend
55S - 90° Bend

Shell Size

Finish
W - Cadmium Olive Drab
N - Electroless Nickel
A - Anodized Black

HEAT SHRINK BOOT ADAPTER



SS	8	10	12	14	16	18	20	22	24
E _{min}	6.40	9.00	12.50	14.40	17.50	19.50	22.70	25.90	28.80

Ordering Information

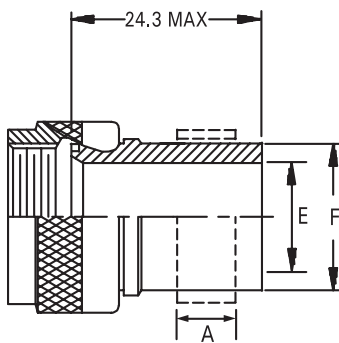
RE 85049/XX - XX - X

Style
60-1 - Straight
60-2G - Straight

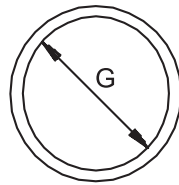
Shell Size

Finish
W - Cadmium Olive Drab
N - Electroless Nickel
A - Anodized Black

RFI SHIELDING, CRIMP ADAPTER



M85049/26-2 Crimp Ring



SS	8	10	12	14	16	18	20	22	24
A	11.2	11.20	11.20	11.20	11.20	11.20	11.20	11.20	11.20
E _{min}	6.40	8.30	10.70	13.70	17.00	20.0	23.2	26.4	28.2
G _{min}	10.2	14.90	14.90	17.90	21.20	25.5	28.6	31.6	33.7
F	8.6	12.4	12.7	15.7	19.1	22.4	25.4	28.4	30.4

Ordering Information

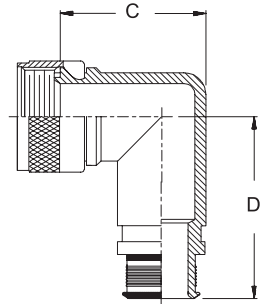
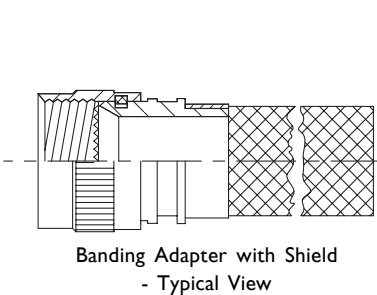
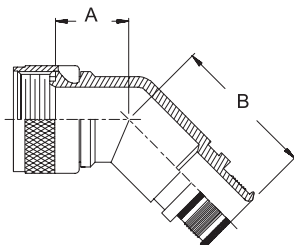
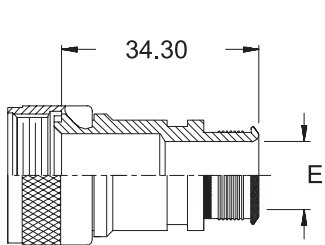
RE 85049/XX - XX - X

Style
26-1 - Adapter only
26-2 - Crimp Ring only
26-3 - Adapter with Crimp ring

Shell Size

Finish
W - Cadmium Olive Drab
N - Electroless Nickel
A - Anodized Black

BANDING ADAPTOR



SS	8	10	12	14	16	18	20	22	24
A MAX	22.1	22.60	23.40	23.90	24.40	24.90	25.40	26.20	26.70
B MAX	29.5	30.00	30.50	31.00	31.80	32.00	32.80	33.30	34.00
C MAX	30.2	32.50	35.70	38.90	42.10	43.60	46.80	49.20	53.20
D MAX	36.0	37.60	39.20	40.80	42.30	43.90	45.50	47.00	48.70
E* _{min}	6.40	7.90	11.10	14.30	15.90	19.10	20.60	23.80	25.40

* Other cable entry sizes are available on request

Ordering Information

RE 85049/XX - XX - X - X

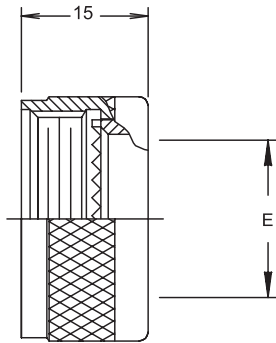
Style
82 - Straight
83 - 45° Bend
84 - 90° Bend

Shell Size

S - With Extended Shield (Optional)

Finish
W - Cadmium Olive Drab
N - Electroless Nickel
A - Anodized Black

BACKNUT



SS	9/8	11/10	13/12	15/14	17/16	19/18	21/20	23/22	25/24
E _{min}	7.00	10.50	13.40	16.50	19.70	22.4	25.6	28.8	31.9

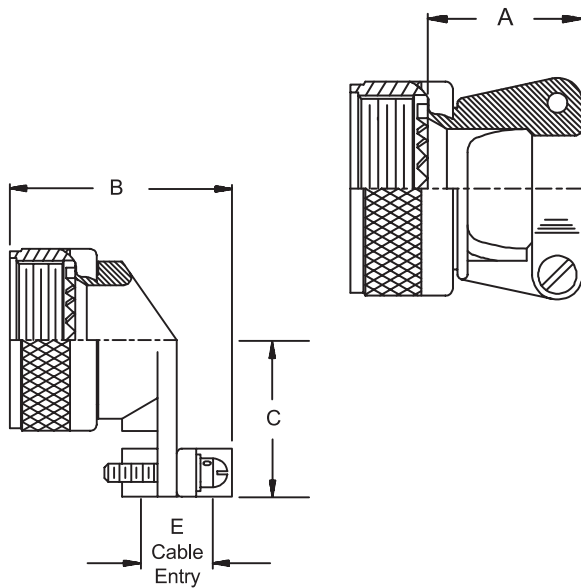
Ordering Information

RE 85049/27S	-	XX	-	X
--------------	---	----	---	---

Shell Size

Finish
W - Cadmium Olive Drab
N - Electroless Nickel
A - Anodized Black

STRAIN RELIEF CLAMP



SS	9/8	11/10	13/12	15/14	17/16	19/18	21/20	23/22	25/24
A MAX	23.1	23.10	25.70	26.90	29.50	35.80	38.40	42.20	44.70
B MAX	35.1	35.10	37.10	41.40	45.70	46.20	48.30	51.80	54.60
C MAX	25.4	27.90	27.90	31.80	33.00	34.30	40.60	44.50	47.00
E _{min}	5.90	5.90	8.30	11.60	15.60	16.1	17.7	20.9	21.7

Ordering Information

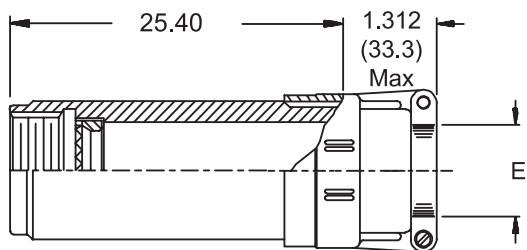
RE 85049/XX	-	XX	-	X
-------------	---	----	---	---

Style
49-2S - Straight
47S - 90° Bend

Shell Size

Finish
W - Cadmium Olive Drab
N - Electroless Nickel
A - Anodized Black

ENVIRONMENTAL, STRAIN RELIEF CLAMP



SS	9/8	11/10	13/12	15/14	17/16	19/18	21/20	23/22	25/24
E* _{min}	6.40	9.50	12.70	15.90	19.10	22.2	25.4	28.6	31.8

* Other cable entry sizes are available on request

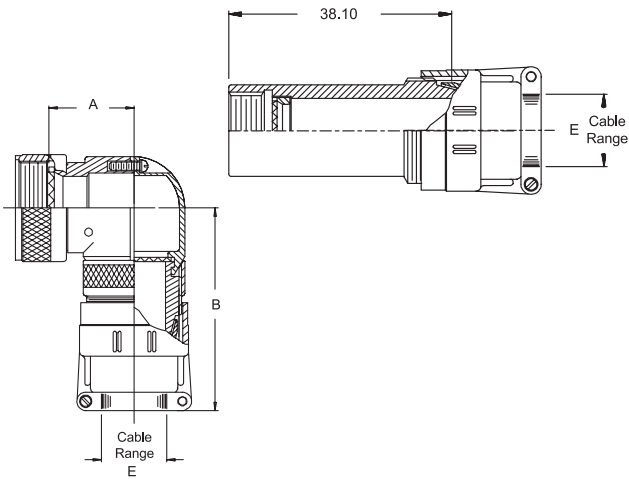
Ordering Information

RE 85049/29	-	XX	-	X
-------------	---	----	---	---

Shell Size

Finish
W - Cadmium Olive Drab
N - Electroless Nickel
A - Anodized Black

EMI/RFI WITH STRAIN RELIEF CLAMP



SS	9/8	11/10	13/12	15/14	17/16	19/18	21/20	23/22	25/24
A MAX	18.3	18.30	19.80	21.40	23.00	25.40	25.40	27.80	27.80
B MAX	63.5	63.50	65.00	68.30	71.40	77.00	81.00	84.10	84.10
E* min	6.40	9.50	12.70	15.90	19.10	22.2	25.4	28.6	31.8

* Other cable entry sizes are available on request

Ordering Information

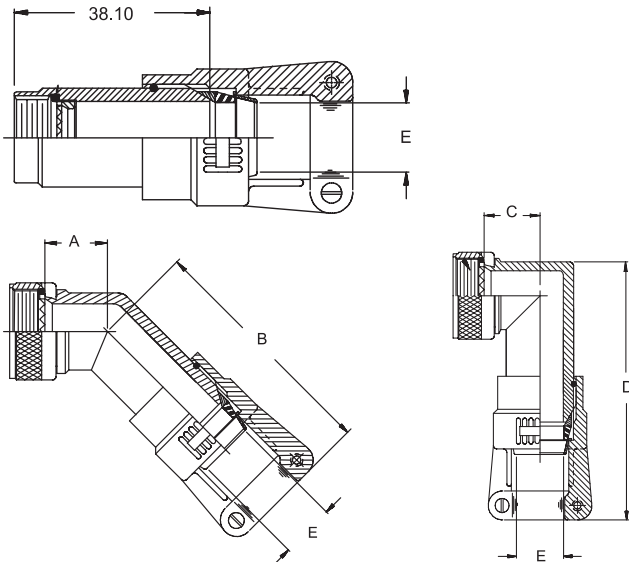
RE 85049/XX - XX - X

Style
36 - Straight
37 - 90° Bend

Shell Size

Finish
W - Cadmium Olive Drab
N - Electroless Nickel
A - Anodized Black

EMI/RFI, ENVIRONMENTAL, STRAIN RELIEF CLAMP



SS	9/8	11/10	13/12	15/14	17/16	19/18	21/20	23/22	25/24
A MAX	10.1	11.60	13.20	14.90	17.20	22.00	22.00	24.30	24.30
B MAX	78.4	80.00	81.50	83.80	86.60	91.40	91.40	95.20	95.20
C MAX	13.5	15.90	16.30	18.30	19.70	21.70	22.80	25.60	26.00
D MAX	83	86.00	86.50	88.30	90.60	94.90	94.90	97.70	97.70
E* min	6.40	9.50	12.70	15.90	19.10	22.20	25.40	28.60	31.80

* Other cable entry sizes are available on request

Ordering Information

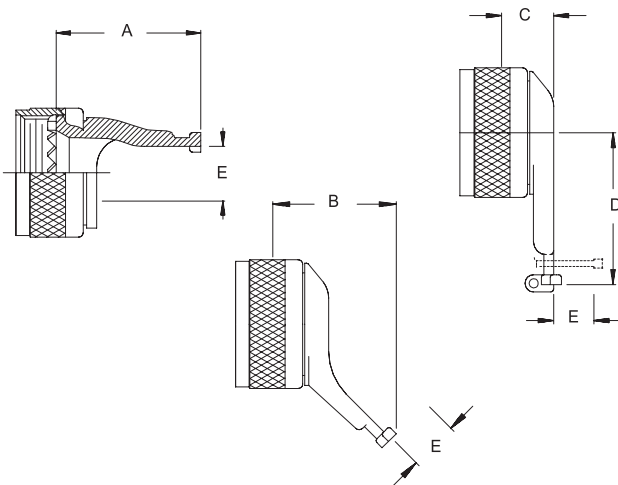
RE 85049/XX - XX - X

Style
17 - Straight
77 - 45° Bend
76 - 90° Bend

Shell Size

Finish
W - Cadmium Olive Drab
N - Electroless Nickel
A - Anodized Black

QWIK TY, STRAIN RELIEF



SS	9/8	11/10	13/12	15/14	17/16	19/18	21/20	23/22	25/24
A MAX	22.7	22.70	24.30	28.80	28.80	30.40	33.70	36.70	40.30
B MAX	30.7	30.70	35.30	35.30	35.30	35.30	35.30	35.30	35.30
C MAX	16.0	16.0	16.0	17.80	17.80	18.5	18.5	18.5	18.5
D MAX	31.0	32.80	41.10	42.20	43.70	43.70	45.50	47.00	48.50
E min	6.70	10.00	12.90	16.00	19.20	21.50	24.60	27.80	31.00

Ordering Information

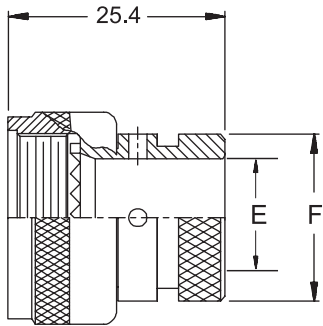
RE 85049/XX - XX - X

Style
56 - Straight
57S - 45° Bend
63S - 90° Bend

Shell Size

Finish
W - Cadmium Olive Drab
N - Electroless Nickel
A - Anodized Black

HEAT SHRINK BOOT ADAPTER



SS	9/8	11/10	13/12	15/14	17/16	19/18	21/20	23/22	25/24
E _{min}	6.40	9.50	12.70	15.90	19.10	20.6	23.8	27.0	30.2
F _{min}	13.5	15.4	19.7	21.3	24.5	26.5	30.9	34.4	36.7

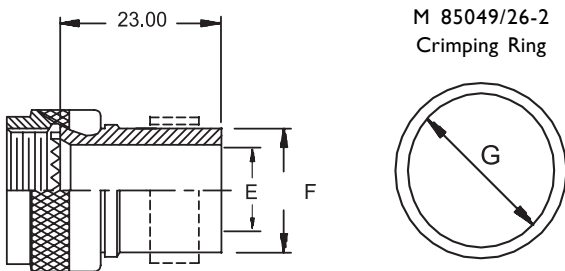
Ordering Information

RE 85049/62	-	XX	-	X
-------------	---	----	---	---

Shell Size

Finish
 W - Cadmium Olive Drab
 N - Electroless Nickel
 A - Anodized Black

RFI SHIELDING, CRIMP ADAPTER



SS	9/8	11/10	13/12	15/14	17/16	19/18	21/20	23/22	25/24
E _{min}	6.40	8.30	10.70	13.70	17.00	20.0	23.2	26.4	28.2
F _{MAX}	8.8	12.60	13.00	16.00	19.30	22.6	25.7	28.7	30.5

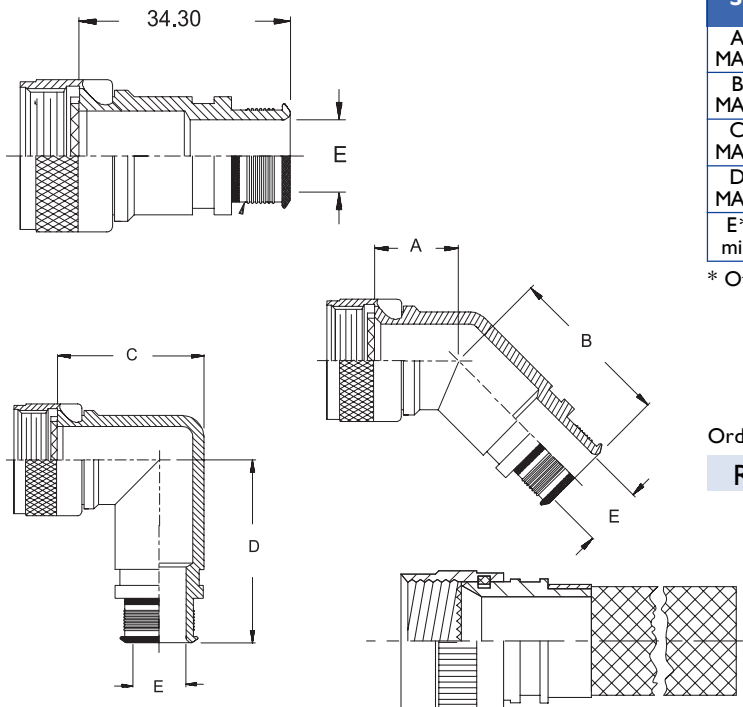
Ordering Information

RE 85049/33-2	-	XX	-	X
---------------	---	----	---	---

Shell Size

Finish
 W - Cadmium Olive Drab
 N - Electroless Nickel
 A - Anodized Black

BANDING ADAPTOR



SS	9/8	11/10	13/12	15/14	17/16	19/18	21/20	23/22	25/24
A _{MAX}	22.1	22.90	23.40	24.10	24.90	24.90	25.70	26.40	27.20
B _{MAX}	29.5	30.20	30.70	31.50	32.00	32.30	33.00	33.80	34.30
C _{MAX}	34.9	36.50	39.70	42.80	44.50	47.60	49.20	52.40	54.00
D _{MAX}	36	37.60	39.40	41.00	42.60	44.00	45.60	47.20	48.70
E* _{min}	6.40	7.90	11.10	14.30	15.90	19.10	20.60	23.80	25.40

* Other cable entry sizes are available on request

Ordering Information

RE 85049/XX	-	XX	-	X	-	X
-------------	---	----	---	---	---	---

Style
 85 - Straight
 86 - 45° Bend
 87 - 90° Bend

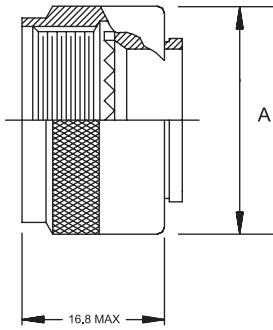
Shell Size

S - With Extended Shield (Optional)

Finish
 W - Cadmium Olive Drab
 N - Electroless Nickel
 A - Anodized Black

Banding Adapter with Shield
 - Typical View

BACKNUT



SS	9	11	13	15	17	19	21	23	25
A MAX	21.80	23.90	29.50	32.50	35.80	38.60	41.70	45.00	48.00

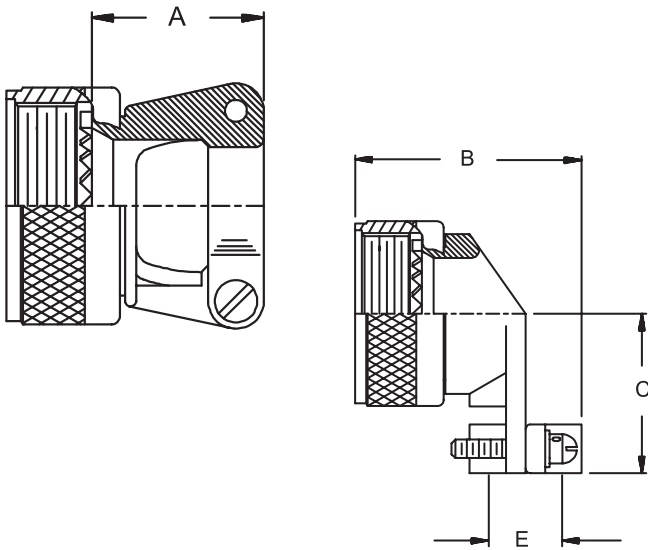
Ordering Information

RE 85049/14S	-	XX	-	X
--------------	---	----	---	---

Shell Size

Finish
 W - Cadmium Olive Drab
 N - Electroless Nickel
 A - Anodized Black

STRAIN RELIEF CLAMP



SS	9	11	13	15	17	19	21	23	25
A MAX	23.1	23.10	25.70	26.90	29.50	35.80	38.40	42.20	44.70
B MAX	30.5	30.50	35.60	36.80	40.60	43.20	47.00	49.50	53.30
C MAX	25.4	27.90	27.90	31.80	33.00	34.30	40.60	44.50	47.00
E min	5.90	5.90	8.30	11.60	15.60	16.10	17.70	20.90	21.70

Ordering Information

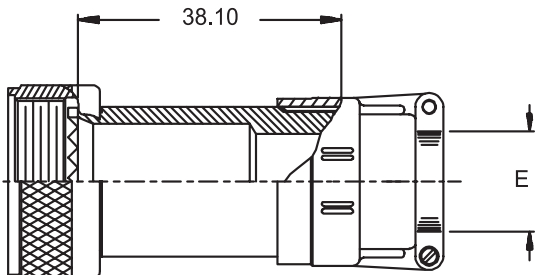
RE 85049/XX	-	XX	-	X
-------------	---	----	---	---

Style
 38S - Straight
 39S - 90° Bend

Shell Size

Finish
 W - Cadmium Olive Drab
 N - Electroless Nickel
 A - Anodized Black

ENVIRONMENTAL, STRAIN RELIEF CLAMP



SS	9	11	13	15	17	19	21	23	25
E*	6.40	9.50	12.70	15.90	19.10	22.20	25.40	28.60	31.80

* Other cable entry sizes are available on request

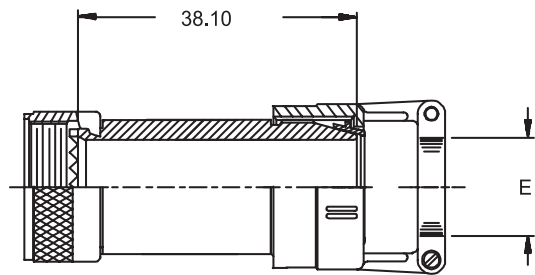
Ordering Information

RE 85049/21	-	XX	-	X
-------------	---	----	---	---

Shell Size

Finish
 W - Cadmium Olive Drab
 N - Electroless Nickel
 A - Anodized Black

EMI/RFI WITH STRAIN RELIEF CLAMP



SS	9	11	13	15	17	19	21	23	25
E* MAX	6.40	9.50	12.70	15.90	19.10	22.20	25.40	28.60	31.80

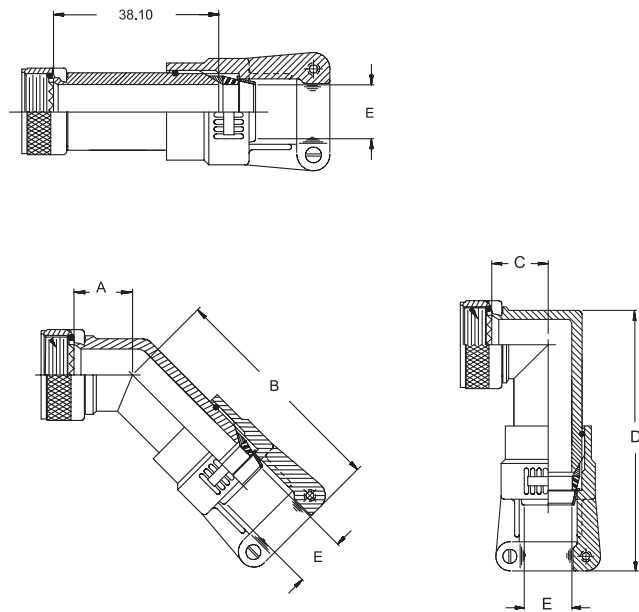
* Other cable entry sizes are available on request

Ordering Information

RE 85049/19	-	XX	-	X
-------------	---	----	---	---

Shell Size
Finish
W - Cadmium Olive Drab
N - Electroless Nickel
A - Anodized Black

EMI/RFI, ENVIRONMENTAL, STRAIN RELIEF CLAMP



SS	9	11	13	15	17	19	21	23	25
A MAX	10.1	11.60	13.20	14.90	17.20	22.00	22.00	24.30	24.30
B MAX	78.4	80.00	81.50	83.80	86.60	91.40	91.40	95.20	95.20
C MAX	11.1	13.50	13.90	16.20	20.90	23.20	23.20	27.00	27.00
D MAX	79.8	82.80	83.30	85.10	87.40	91.70	91.70	94.50	94.50
E* MAX	6.40	9.50	12.70	15.90	19.10	22.20	25.40	28.60	31.80

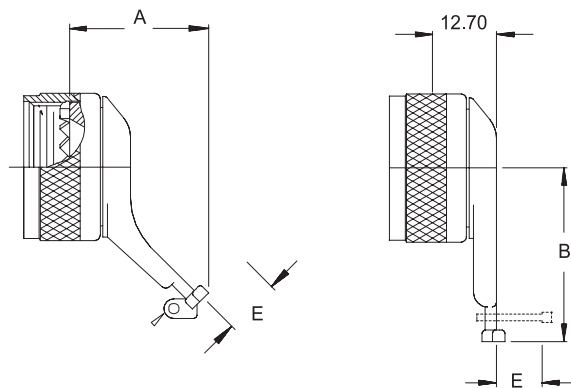
* Other cable entry sizes are available on request

Ordering Information

RE 85049/XX	-	XX	-	X
-------------	---	----	---	---

Style
18 - Straight
78 - 45° Bend
79 - 90° Bend
Shell Size
Finish
W - Cadmium Olive Drab
N - Electroless Nickel
A - Anodized Black

QWIK TY, STRAIN RELIEF



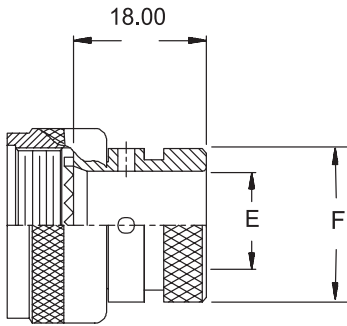
SS	9	11	13	15	17	19	21	23	25
A MAX	26.2	26.20	26.20	27.70	28.20	30.70	32.00	33.00	34.00
B MAX	31.00	32.80	41.10	42.20	43.70	43.70	45.50	47.00	48.80
E	6.70	10.00	12.90	16.00	19.20	21.50	24.60	27.80	31.00

Ordering Information

RE 85049/XX	-	XX	-	X
-------------	---	----	---	---

Style
15S - 45° Bend
16S - 90° Bend
Shell Size
Finish
W - Cadmium Olive Drab
N - Electroless Nickel
A - Anodized Black

HEAT SHRINK BOOT ADAPTER



SS	9	11	13	15	17	19	21	23	25
E min	6.4	9.50	12.70	15.90	19.10	20.60	23.80	27.00	30.20
F MAX	13.5	15.4	19.7	21.3	24.5	26.5	30.9	34.4	36.7

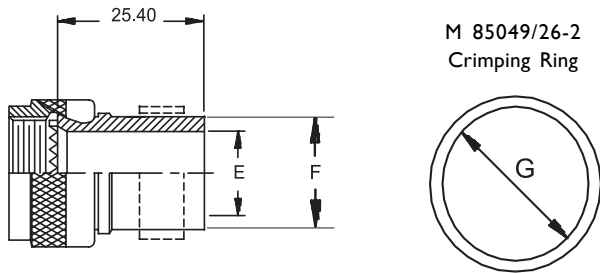
Ordering Information

RE 85049/69 - XX - X

Shell Size

Finish
W - Cadmium Olive Drab
N - Electroless Nickel
A - Anodized Black

RFI SHIELDING, CRIMP ADAPTER



SS	9	11	13	15	17	19	21	23	25
E	6.70	8.70	11.10	14.30	17.40	20.60	23.80	26.60	28.60
G	8.8	12.60	13.00	16.00	19.30	22.6	25.7	28.7	30.5

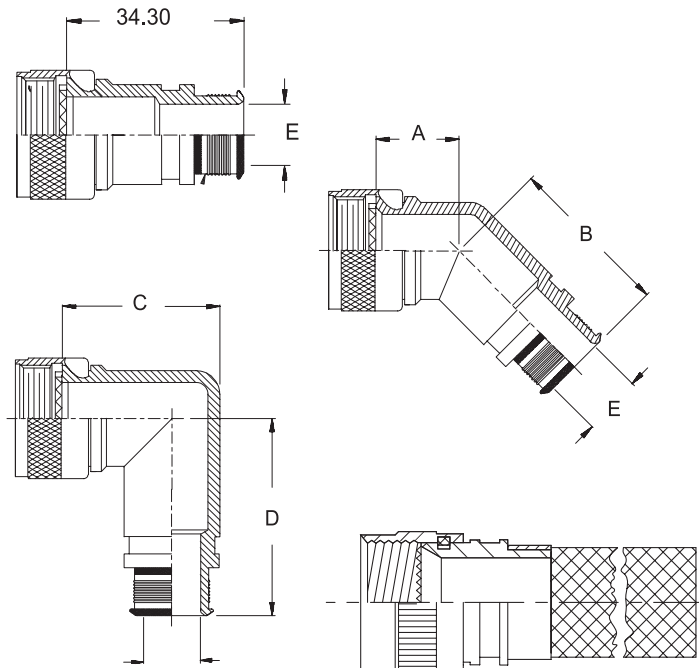
Ordering Information

RE 85049/20 - XX - X

Shell Size

Finish
W - Cadmium Olive Drab
N - Electroless Nickel
A - Anodized Black

BANDING ADAPTOR



SS	9	11	13	15	17	19	21	23	25
A MAX	25.7	26.20	26.90	27.40	28.20	28.40	29.20	29.70	30.50
B MAX	29.5	30.20	30.70	31.50	32.00	32.30	33.00	33.80	34.30
C MAX	34.9	36.50	39.70	42.80	44.50	47.60	49.20	52.40	54.00
D MAX	36	37.60	39.40	41.00	42.60	44.00	45.60	47.20	48.70
E* min	6.40	7.90	11.10	14.30	15.90	19.10	20.60	23.80	25.40

* Other cable entry sizes are available on request

Ordering Information

RE 85049/XX - XX - X - X

Style
88 - Straight
89 - 45° Bend
90 - 90° Bend

Shell Size

S - With Extended Shield (Optional)

Finish
W - Cadmium Olive Drab
N - Electroless Nickel
A - Anodized Black

Banding Adaptor with Shield
- Typical View

Dash No.	Description	MIL-C-26482 S 2 5015 Crimp	MIL-C-38999 S I & II	MIL-C-38999 S III & IV	Page No.
6	EMI / RFI, Enviornmental,45°, With Strain Relief Clamp	☐			4
7	Environmental, 45° With Strain Relief Clamp	☐			3
8	EMI / RFI, Enviornmental,90°, With Strain Relief Clamp	☐			4
9	Environmental, 90° With Strain Relief Clamp	☐			3
10	EMI / RFI, Environmental, Straight With Strain Relief Clamp	☐			4
11	Environmental, Straight With Strain Relief Clamp	☐			3
14S	Back Nut			☐	9
15S	Quik Ty, 45° Strain Relief Clamp			☐	10
16S	Quik Ty , 90° Strain Relief Clamp			☐	10
17	EMI / RFI, Environmental, Straight With Strain Relief Clamp		☐		7
18	EMI / RFI, Environmental, Straight With Strain Relief Clamp			☐	10
19	EMI / RFI, Non Environmental,Straight with Strain Relief Clamp			☐	10
20	Crimping Ring			☐	11
21	Non RFI, Non Enviornmental, Straight with Strain Relief Clamp			☐	9
23	EMI / RFI Non Environmental, 45° With Strain Relief Clamp	☐			4
24	EMI / RFI Non Environmental, 90° With Strain Relief Clamp	☐			4
25	EMI / RFI, Non Environmental,Straight Strain Relief Clamp	☐			4
26-1	Crimping Ring	☐			5
26-2	Ring	☐			5
26-3	Adaptor with Crimping Ring	☐			5
27S	Back Nut		☐		6
29	Non RFI, Non Enviornmental, Straight with Strain Relief Clamp		☐		6
31S	Back Nut	☐			3
33-2	RFI Straight, Crimping Ring		☐		8
36	EMI / RFI, Non Environmental,Straight with Strain Relief Clamp		☐		7
37	EMI / RFI Non Environmental, 90° With Strain Relief Clamp		☐		7
38S	Straight Strain Relief Clamp			☐	9
39	90° Strain Relief Clamp			☐	9
43	45° Strain Relief Clamp	☐			3
47S	90°, Strain Relief Clamp		☐		6
49-2S	Straight Strain Relief Clamp		☐		6
51S	90° Strain Relief Clamp	☐			3
52S	Straight Strain Relief Clamp	☐			3
53	Quik Ty, Straight Strain Relief Clamp	☐			4
54	Quik Ty, 45° Strain Relief Clamp	☐			4
55S	Quik Ty, 90° Strain Relief Clamp	☐			4
56	Straight, Potting Boot Adaptor		☐		7
57S	Quik Ty, 45° Strain Relief Clamp		☐		7
60-1	Straight Heat Shrink Boot Adaptor	☐			5
60-2G	Straight Boot Adaptor	☐			8
62	Straight Heat Shrink Boot Adaptor		☐		8
63S	Quik Ty, 90° Strain Relief Clamp		☐		7
69	Straight Heat Shrink Boot Adaptor			☐	11
76	RFI, ENV, 90° Strain Relief Clamp		☐		7
77	RFI, ENV, 45° Strain Relief Clamp		☐		7
78	EMI / RFI, Enviornmental,45°, With Strain Relief Clamp			☐	10
79	EMI / RFI, Enviornmental,90°, With Strain Relief Clamp			☐	10
82	RFI, Self Locking, Straight Banding Adaptor	☐			5
83	RFI, Self Locking, 45° Banding Adaptor	☐			5
84	RFI, Self Locking, 90° Banding Adaptor	☐			5
85	RFI, Self Locking, Straight Banding Adaptor		☐		8
86	RFI, Self Locking, 45° Banding Adaptor		☐		8
87	RFI, Self Locking, 90° Banding Adaptor		☐		8
88	RFI, Self Locking, Straight, Banding Adaptor			☐	11
89	RFI, Self Locking, 45° Banding Adaptor			☐	11
90	RFI, Self Locking, 90° Banding Adaptor			☐	11

PRODUCTS



Miniature, Circular, bayonet, coupling connector to MIL - C - 26482 Series I & II



Miniature, Circular, bayonet / triple start threaded coupling connectors to MIL-DTL-38999 series II & III



Back shells for Circular connectors to MIL - M85049 Series



Custom built cable harnesses with circular connectors



Custom built special purpose connectors



High density and normal density D-sub connectors and accessories to MIL - C - 24038



High density rectangular connectors to MIL - C - 55302



Custom built RF Filters



Insulated and non insulated single pin / multi pin DC connectors



Flexible, Semi flexible, semi rigid, RF cable assemblies



Sub miniature RF connectors of series SMA, SMB, SMC, SMZ, MCX.



Inter Series RF adaptors



RF connectors of series 1.0/2.3, 1.6/5.6, 1.8/5.6, 7/16 to DIN specification



RF connectors of series N, BNC, TNC, Triax



Telecommunication installation accessories



ROTARY ELECTRONICS (P) LTD.

solutions engineered to excel

No.18, 5th Cross, 4th Main,
West of Chord Road, Bangalore - 560 044.
Ph: +91 80 2335 8250 / 3662,
Fax: +91 80 2338 0183
email: rotaryelec@satyam.net.in